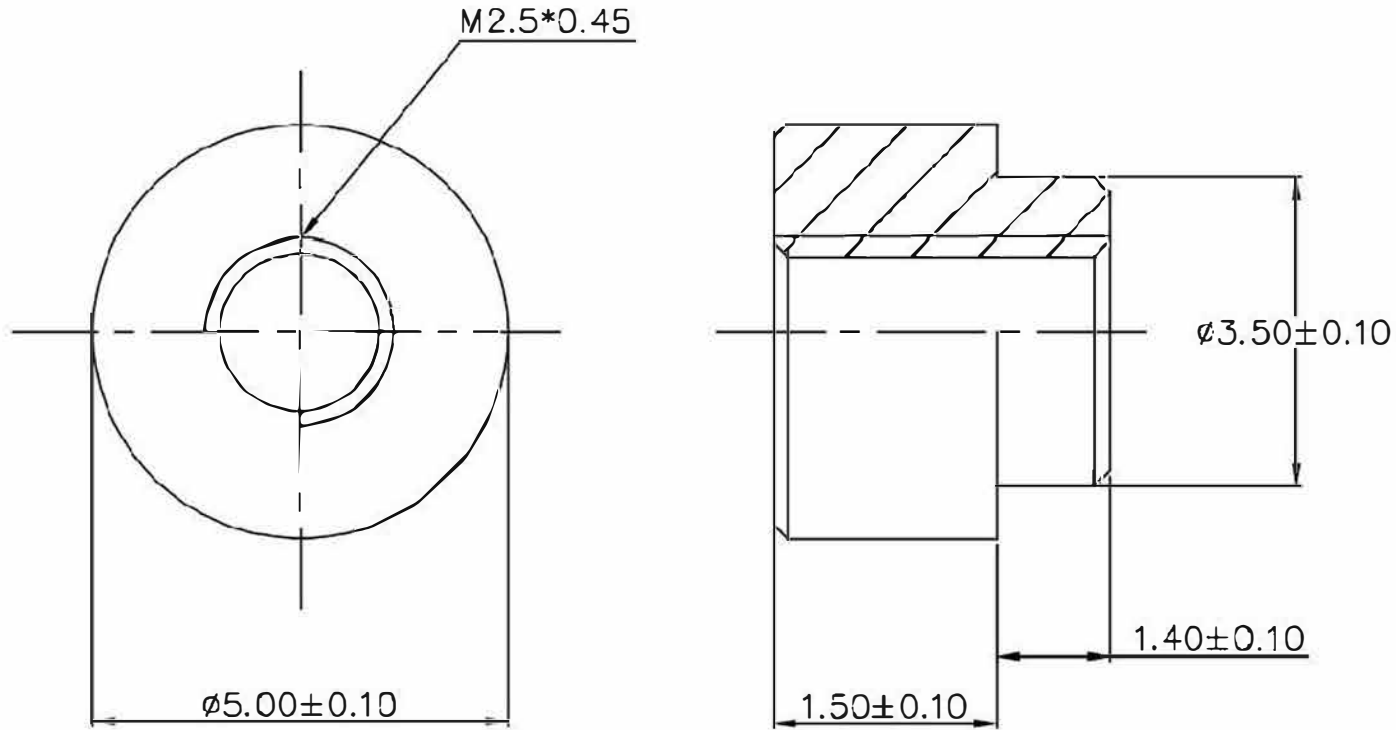
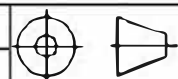


RoHS
Compliant



SCOPE



| | | | |
|----|-------|----|-----|
| X. | ±0.20 | X' | ±4' |
|----|-------|----|-----|

| | | | |
|----|-------|-----|-----|
| .X | ±0.10 | .X' | ±2' |
|----|-------|-----|-----|

| | | | |
|-----|-------|------|-----|
| .XX | ±0.05 | .XX' | ±1' |
|-----|-------|------|-----|

Unit: mm

Material: Steel 1215

Finish: Tin

Custom Confirm: DATE: 2018/06/08

APPD: Alan Wu DATE: 2018/06/08

GRAMN: Leon Wang DATE: 2018/06/08

BASED ON:

STANDARD REFER: CUSTOM DWG

PART NUMBER: SMT2515 REVISION: A

DESCRIPTION: M2.5*5*1.5+1.4

PART NUMBER: REVISION: A

DESCRIPTION: /

SCALE: / SHEET :1 OF 1

Package Type: Reel package

Quantity: 2000pcs/ Reel

REVISION RECORD

| DATE | NEW REVISION | REVISION PERSON | REVISION DETAILED |
|------|--------------|-----------------|-------------------|
| / | / | / | / |
| | | | |
| | | | |

1

2

3

4

5

6