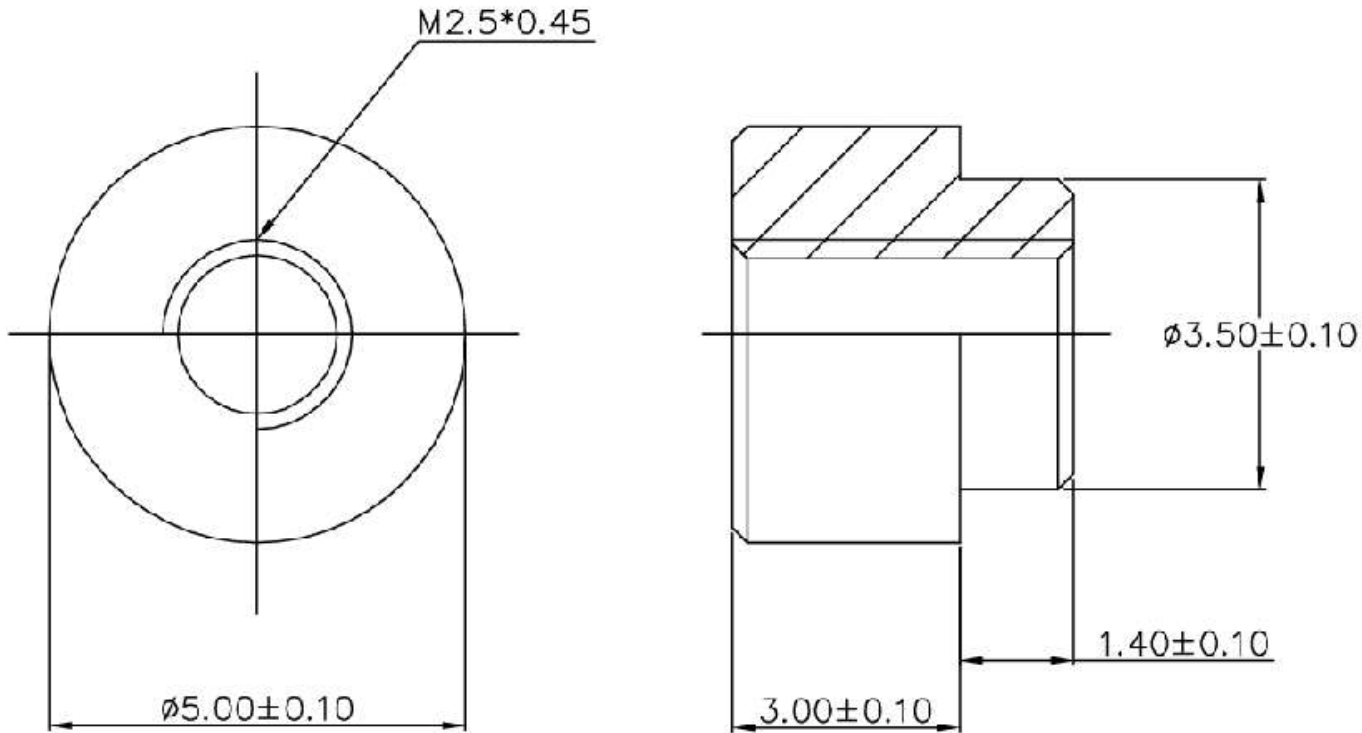
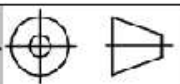


**RoHS**  
Compliant



SCOPE



X.	±0.20	X.*	±4'
.X	±0.10	.X*	±2'
.XX	±0.05	.XX*	±1'

Unit: mm  
Material: Steel 1215  
Finish: Tin

Custom Confirm: \_\_\_\_\_ DATE: \_\_\_\_\_  
 APPD: Alan Wu DATE: 2018/06/08  
 DRAMN: Yong Wu DATE: 2018/06/08  
 BASED ON: \_\_\_\_\_  
 STANDARD REFER: CUSTOM DWG

REVISION RECORD

DATE	NEW REVISION	REVISION PERSON	REVISION DETAIL
/	/	/	/

PART NUMBER: SMT2530  
 DESCRIPTION: M2.5\*5.1\*3+1.4  
 PART NUMBER: \_\_\_\_\_  
 DESCRIPTION: /

SCALE: / SHEER: 1 OF 1

Package Type:  
Reel package

WOLSHO CUSTOM

REVISION  
A  
REVISION  
A