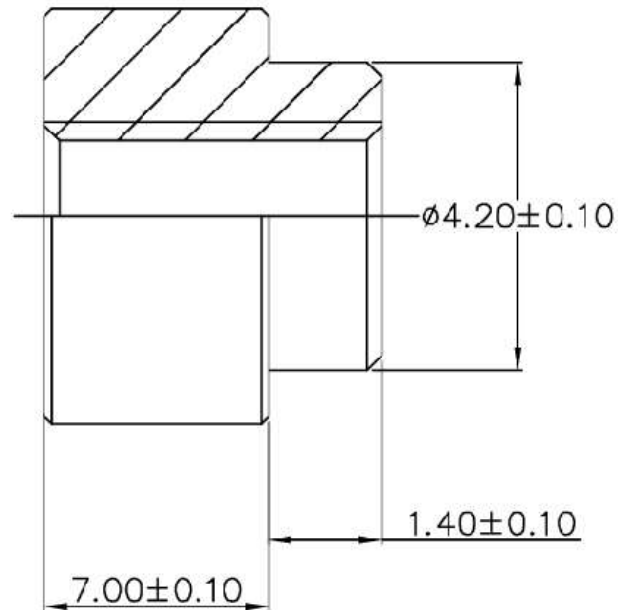
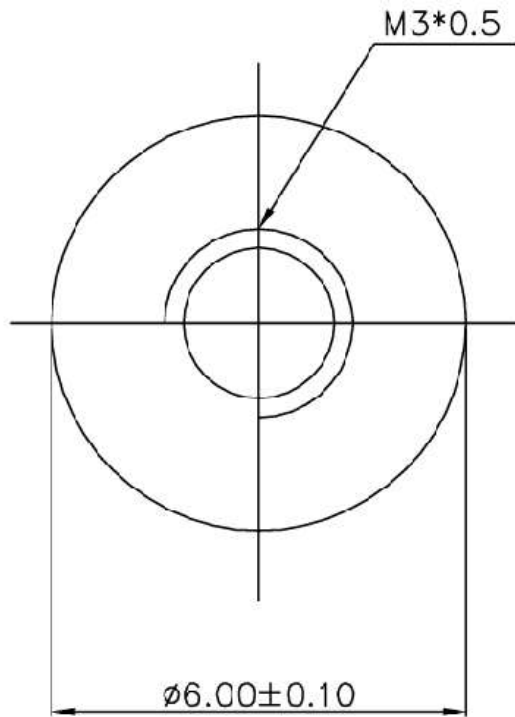


RoHS
Compliant



REVISION RECORD				SCOPE				Plastech					
DATE	NEW REVISION	REVISION PERSON	REVISION DETAILED	X.	± 0.20	X'	$\pm 4'$	Unit: mm	Custom Confirm:	DATE:	SINHS DOHNS CUSTOM	PART NUMBER: SMT3070	REVISION
/	/	/	/	.X	± 0.10	.X'	$\pm 2'$	Material:	APPD: Alan Wu	DATE: 2021/07/29		DESCRIPTION: M3*6*L7+1.4	A
				.XX	± 0.05	.XX'	$\pm 1'$	Steel 1215	DRAMN: Yong Wu	DATE: 2021/07/29	PART NUMBER:	REVISION	
								Finish:	BASED ON:		DESCRIPTION: /	A	
								Tin	STANDARD REFER: CUSTOM DWG		SCALE: /	SHEET: 1 OF 1	

1

2

3

4

5

6